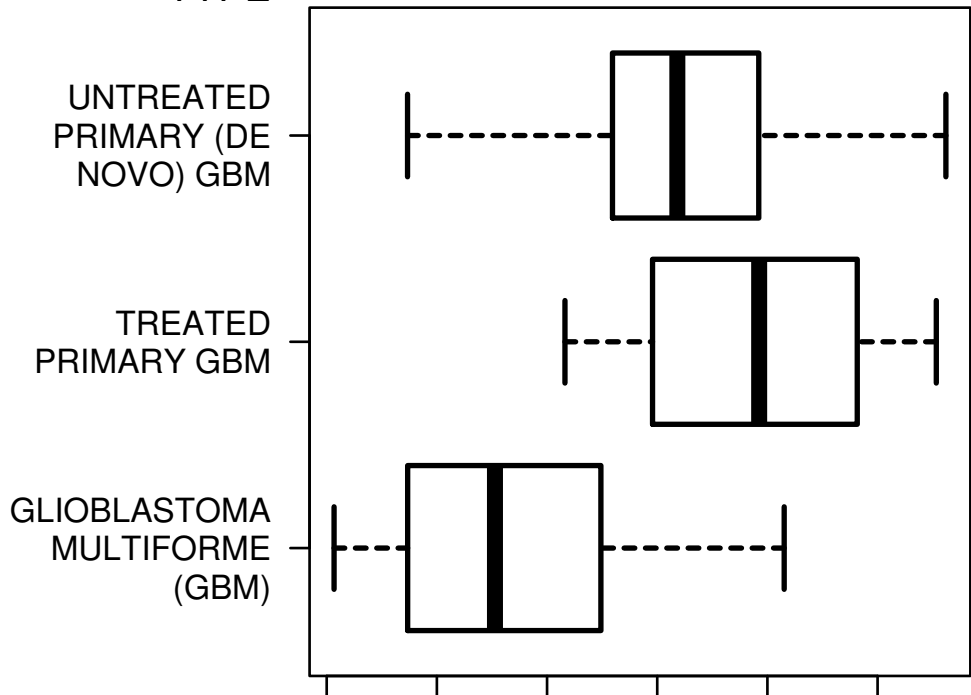


# HISTOLOGICAL TYPE

## MUTATIONRATE\_NONSYNONYMOUS



MUTATION\_RATE  
Kruskal-Wallis P = 0.00135