

# VIL1

HISTOLOGICAL

TYPE

STOMACH

ADENOCARCINOMA

STOMACH

INTESTINAL

ADENOCARCINOMA

STOMACH

INTESTINAL

ADENOCARCINOMA

STOMACH

MUCOUS

INTESTINAL

ADENOCARCINOMA

INTESTINAL

ADENOCARCINOMA

TUBULAR TYPE

NOT OTHERWISE

ADENOCARCINOMA

SPECIFIED

ADENOCARCINOMA

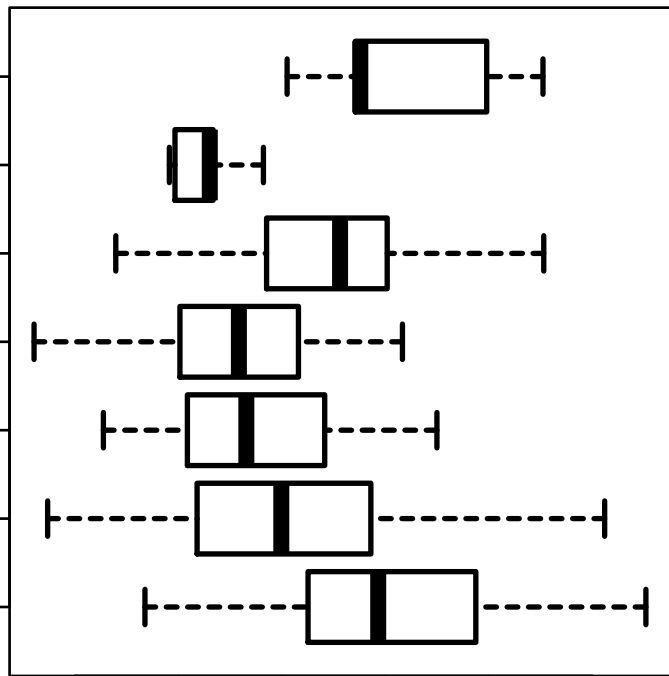
(NOS)

STOMACH

ADENOCARCINOMA

(NOS)

DIFFUSE TYPE



log2-EXPR  
Kruskal-Wallis P = 5.55e-09