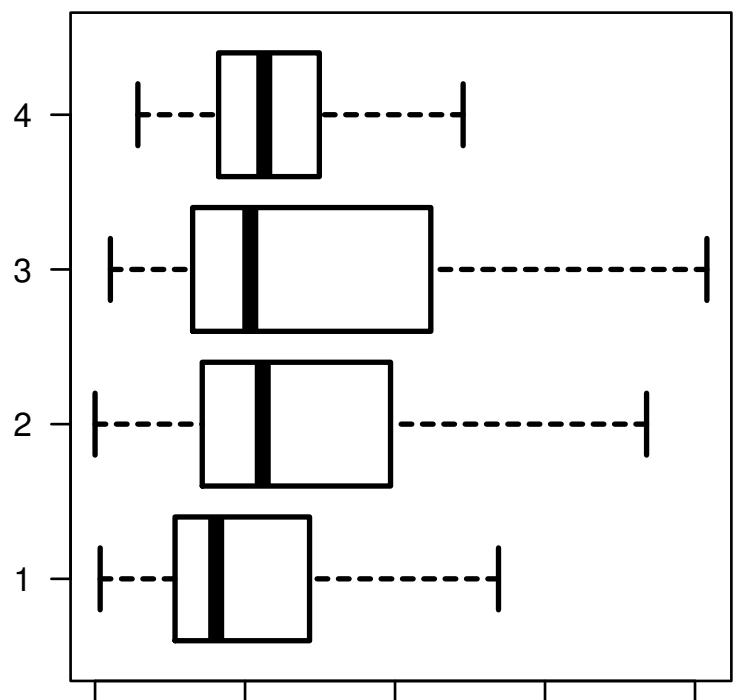


MUTATIONRATE_NONSYNONYMOUS
THOLOGY_T_STAGE



MUTATION_RATE
Spearman.Corr= 0.146, P=5.53e-06