

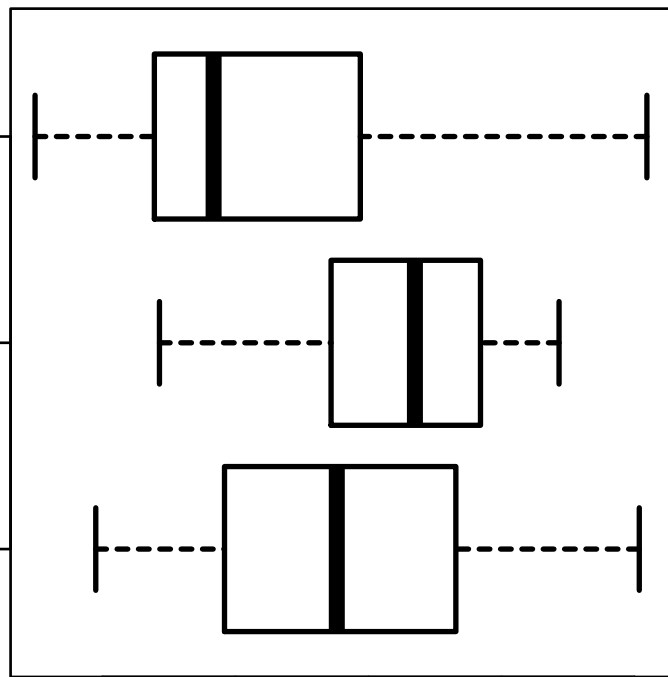
ROIDAL_EXTENSION

MAPT|TAU-M-C

MODERATE/ADVANCED
(T4A)

MINIMAL (T3)

NONE



log2-EXPR
Kruskal-Wallis P = 0.000204