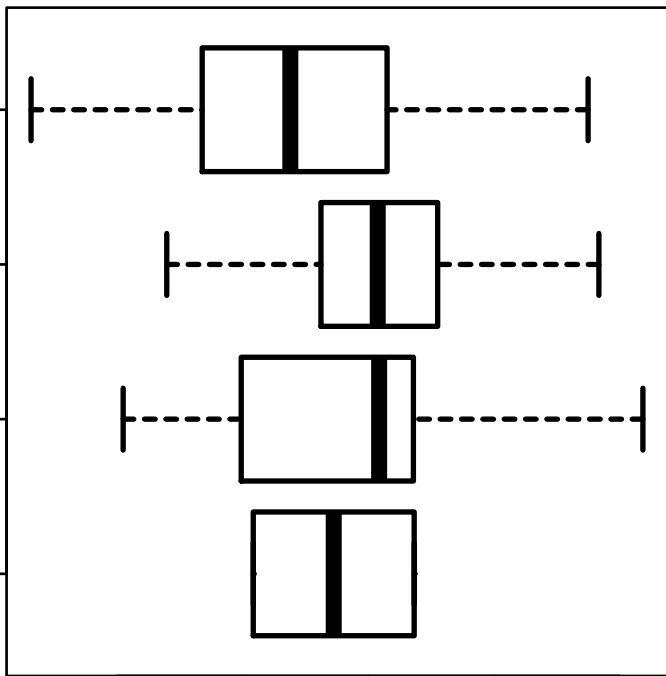


HSFX2|100130086

MENOPAUSAL STATUS
 PREVIOUS
 MONTHS SINCE
 LMP AND NO
 PRIOR
 BILATERAL
 OVALECTOMY
 AND LATERAL
 OVALECTOMY
 REPLACEMENT
 SINCE LMP
 WITH REPAIR
 HYPERTENSION
 LAST
 MENSTRUAL
 PERIOD)
 INDETERMINATE
 (NEITHER PRE
 OR
 POSTMENOPAUSAL)



log₂-EXPR
 Kruskal-Wallis P = 4.4e-05