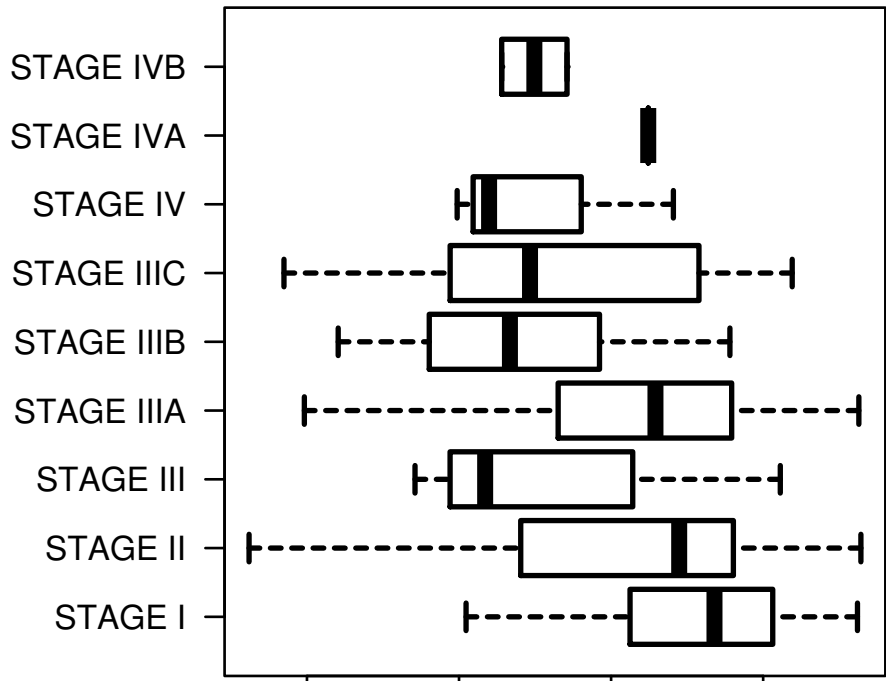


C7ORF28B

PATHOLOGIC_STAGE



log2-EXPR
Kruskal-Wallis P = 7.31e-05