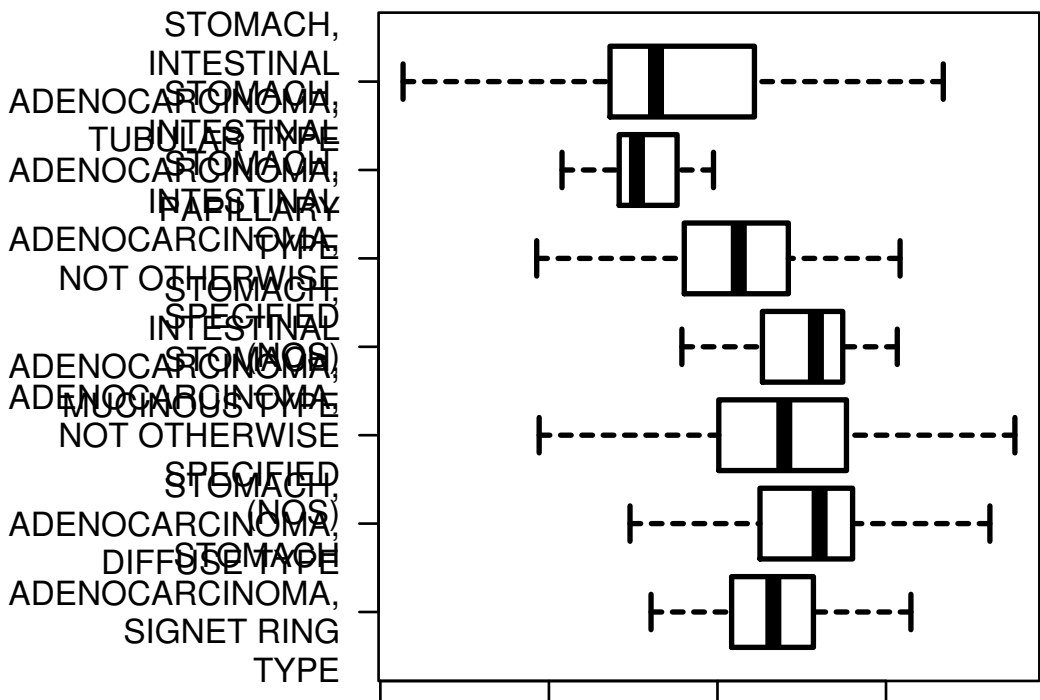


MS4A7|58475

STOLOGICAL_TYPE



log2-EXPR
Kruskal-Wallis P = 2.57e-14